

DATA SHEET

Cable shields Soft Ferrites

Product specification
Supersedes data of March 1999
File under Ferrite Ceramics, MA01

2000 Apr 20

Soft Ferrites

Cable shields

CABLE SHIELDS FOR EMI-SUPPRESSION

Tubular cable shields

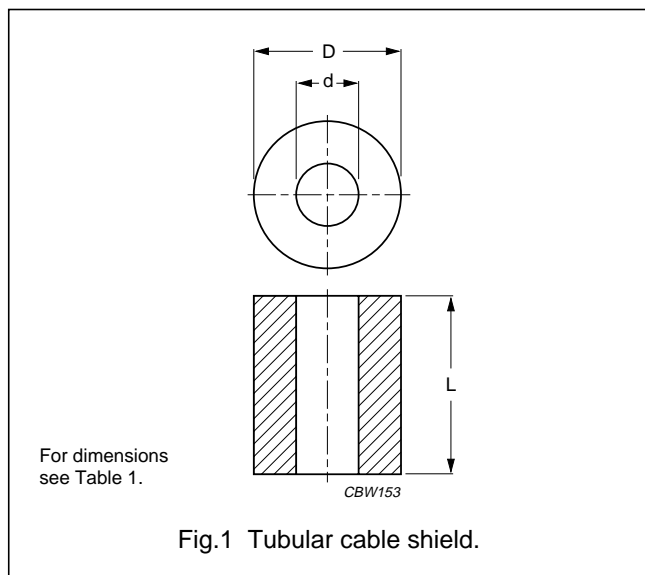


Table 1 Type numbers, dimensions and parameters; see Fig.1

TYPE NUMBER	DIMENSIONS			Z _{typ} ⁽¹⁾ (Ω) at	
	D	d	L	25 MHz	100 MHz
CST7.8/5.3/9.8-3S4 des	7.8 ±0.2	5.3 +0.3	9.8 ±0.2	33	50
CST8.3/3.5/10-3S4 des	8.3 -0.4	3.5 +0.3	10 -0.6	70	96
CST9.5/4.8/6.4-4S2 des	9.5 ±0.25	4.75 ±0.25	6.35 ±0.35	23	50
CST9.5/4.8/10-4S2 des	9.5 ±0.25	4.75 ±0.25	10.4 ±0.25	53	80
CST9.5/4.8/19-4S2 des	9.5 ±0.25	4.75 ±0.25	19.05 ±0.7	100	145
CST9.5/5.1/15-3S4 des	9.5 ±0.3	5.1 ±0.15	14.5 ±0.45	66	110
CST9.7/5/5.1-4S2 des	9.65 ±0.25	5 ±0.2	5.05 -0.45	26	43
CST14/6.4/29-4S2 des	14.3 ±0.45	6.35 ±0.25	28.6 ±0.75	170	250
CST14/7.3/29-4S2 des	14.3 ±0.45	7.25 ±0.15	28.6 ±0.75	143	215
CST16/7.9/14-4S2 des	16.25 -0.75	7.9 ±0.25	14.3 ±0.35	70	113
CST16/7.9/29-4S2 des	16.25 -0.75	7.9 ±0.25	28.6 ±0.75	130	213
CST17/9.5/13-3S4 des	17.45 ±0.35	9.53 ±0.25	12.7 ±0.5	55	90
CST17/9.5/13-4S2 des	17.45 ±0.4	9.5 ±0.25	12.7 ±0.5	55	88
CST17/9.5/29-3S4 des	17.45 ±0.35	9.53 ±0.25	28.55 ±0.75	125	200
CST17/9.5/29-4S2 des	17.45 ±0.35	9.53 ±0.25	28.55 ±0.75	125	250
CST17/11/60-3S4 des	17.2 -1.2	11 ±0.5	60 -2.5	200	320
CST19/10/29-4S2 des	19 -0.65	10.15 ±0.25	28.6 ±0.75	128	196
CST19/11/12-3S4 des	19 ±0.4	10.6 ±0.3	11.5 ±0.4	50	75
CST26/13/29-4S2 des	25.9 ±0.75	12.8 ±0.25	28.6 ±0.8	145	225
CST29/19/7.5-4S2 des	29 ±0.75	19 ±0.5	7.5 ±0.25	28	47

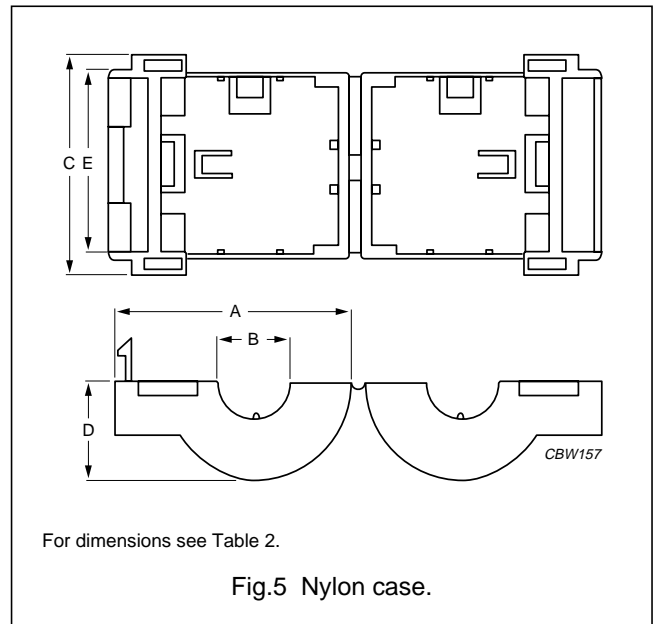
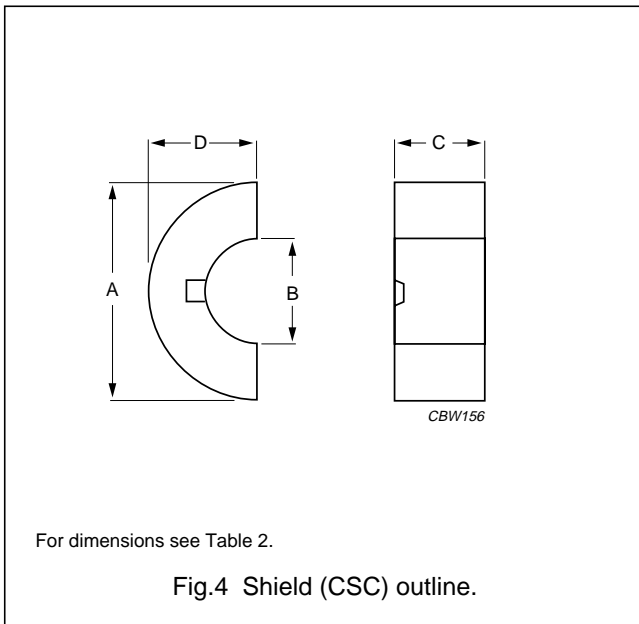
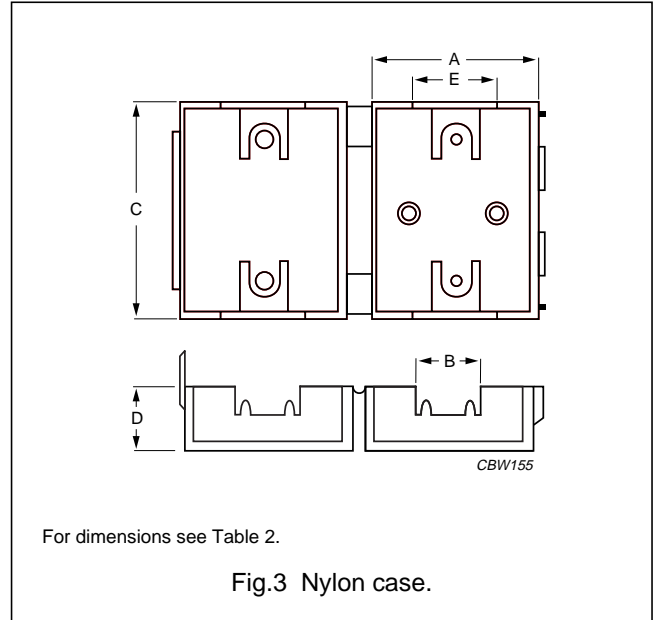
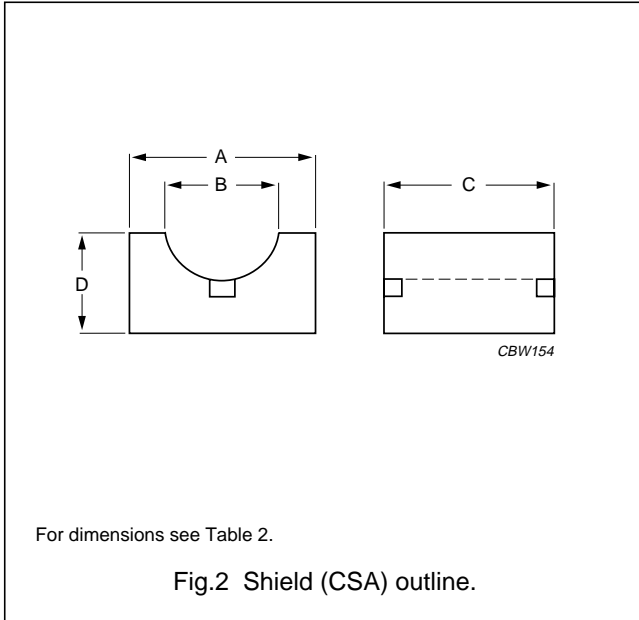
Note

1. Minimum guaranteed impedance is |Z|_{typ} -20%.

Soft Ferrites

Cable shields

Round cable shields (split)











General data

ITEM	SPECIFICATION
Case material	polyamide (PA66), glass reinforced, flame retardant in accordance with "UL94V-0", grade A82, colour black

Soft Ferrites

Cable shields

Table 2 Type numbers, dimensions and parameters; see Figs 2 to 5

TYPE NUMBER	FIG.	DIMENSIONS					$ Z _{\text{typ}}^{(1)}$ (Ω) at		
		A	B	C	D	E	25 MHz	100 MHz	
Round cable shields									
CSA15/7.5/29-4S2 	2	15 ±0.25	6.6 ±0.3	28.6 ±0.8	7.5 ±0.15	–	165	275	
CSA19/9.4/29-4S2 	2	18.65 ±0.4	10.15 ±0.3	28.6 ±0.8	9.4 ±0.15	–	140	225	
CSA26/13/29-4S2 	2	25.9 ±0.5	13.05 ±0.3	28.6 ±0.8	12.8 ±0.25	–	155	250	
CSC16/7.9/14-4S2 	4	15.9 ±0.4	7.9 ±0.3	14.3 ±0.4	7.95 ±0.2	–	50	113	
Round cable shields in matching nylon cases									
CSA15/7.5/29-4S2-EN 	2+3	17.9	7.0	32.3	9.2	9.0	165	275	
Nylon case	3	17.9	7.0	32.3	9.2	9.0	–	–	
CSA19/9.4/29-4S2-EN 	2+3	22.1	10.2	32.3	11.7	9.0	140	225	
Nylon case	3	22.1	10.2	32.3	11.7	9.0	–	–	
CSA26/13/29-4S2-EN 	2+3	29	13.4	32.5	14.8	18.0	155	250	
Nylon case	3	29	13.4	32.5	14.8	18.0	–	–	
CSC16/7.9/14-4S2-EN 	4+5	24.7	7.6	22.8	10.2	17.8	50	113	
Nylon case	5	24.7	7.6	22.8	10.2	17.8	–	–	

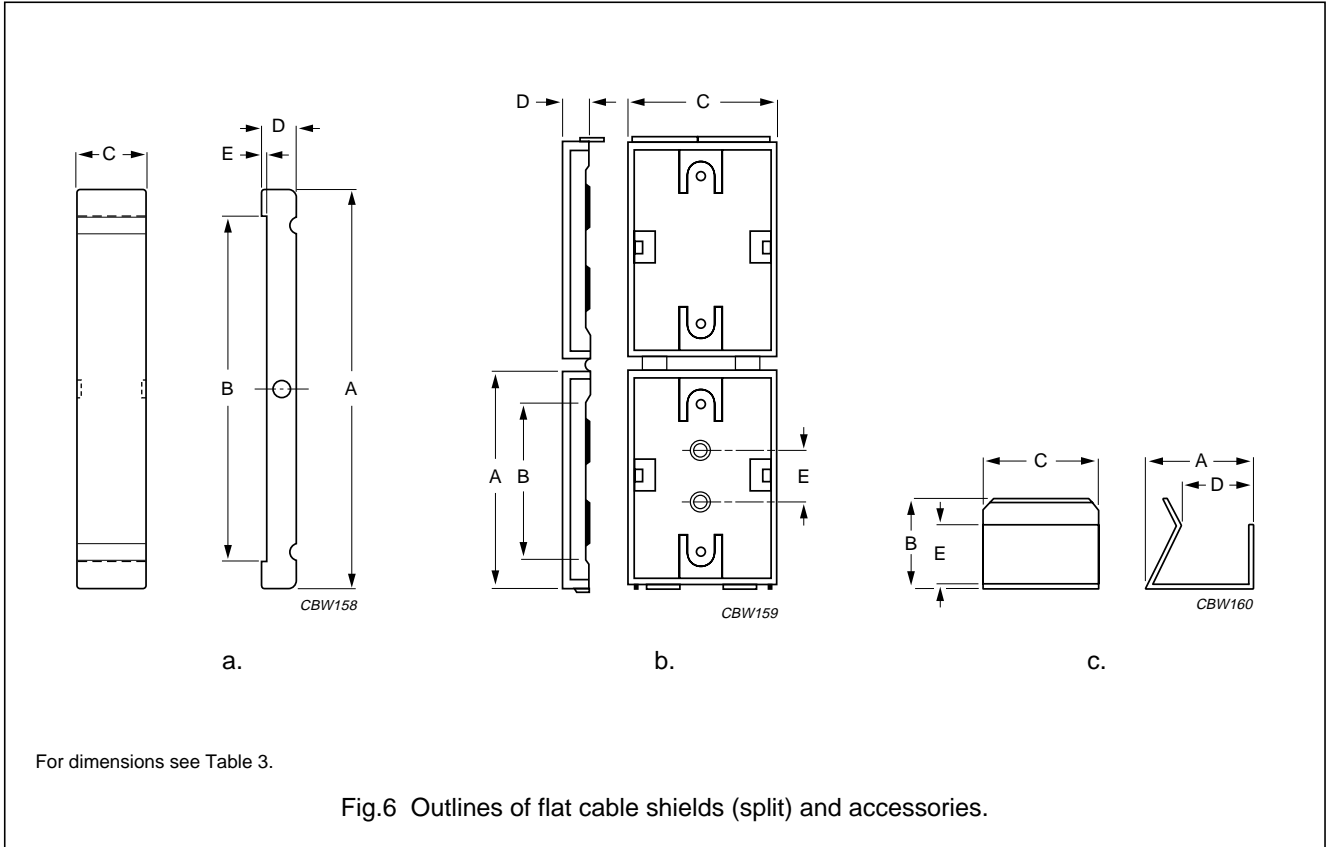
Note

1. Minimum guaranteed impedance is $|Z|_{\text{typ}} - 20\%$.

Soft Ferrites

Cable shields

Flat cable shields (split)











Soft Ferrites

Cable shields

General data

ITEM	SPECIFICATION
Case material	polyamide (PA66), glass reinforced, flame retardant in accordance with "UL94V-0", grade A82, colour black
Clip material	spring steel (0.5 mm), zinc plated

Table 3 Type numbers, dimensions and parameters; see Fig.6

TYPE NUMBER	FIG.	DIMENSIONS					$ Z _{\text{typ}}^{(1)}$ (Ω) at		
		A	B	C	D	E	25 MHz	100 MHz	
Flat cable shields (split)									
CSU45/6.4/29-4S2 	6a	45.1 ±0.75	34.4 ±0.7	28.6 ±0.7	6.35 ±0.25	0.85 ±0.2	96	225	
CSU76/6.4/13-3S4 	6a	76.2 ±1.5	65.3 ±1.3	12.7 ±0.4	6.35 ±0.25	0.85 ±0.2	36	110	
CSU76/6.4/15-3S4 	6a	76.2 ±1.5	65.3 ±1.3	15.0 ±0.6	6.35 ±0.25	0.85 ±0.2	50	159	
CSU76/6.4/29-4S2 	6a	76.2 ±1.5	65.3 ±1.3	28.6 ±0.8	6.35 ±0.25	0.85 ±0.2	75	215	
CSU76/6.4/29-3S4 	6a	76.2 ±1.5	65.3 ±1.3	28.6 ±0.8	6.35 ±0.25	0.85 ±0.2	70	235	
CLI-CSU6.4 	6c	16.1	11.0	12.7	11.4	8.0	–	–	
Flat cable shields in matching nylon cases									
CSU45/6.4/29-4S2-EN 	6a+b	49.5	34.3	32.3	8.1	20	96	225	
Nylon case	6b	49.5	34.3	32.3	8.1	20	–	–	
CSU76/6.4/29-4S2-EN 	6a+b	80.8	65.5	32.3	8.1	50.8	75	215	
Nylon case	6b	80.8	65.5	32.3	8.1	50.8	–	–	

Note

1. Minimum guaranteed impedance is $|Z|_{\text{typ}} - 20\%$.

Soft Ferrites

Cable shields

Flat cable shields

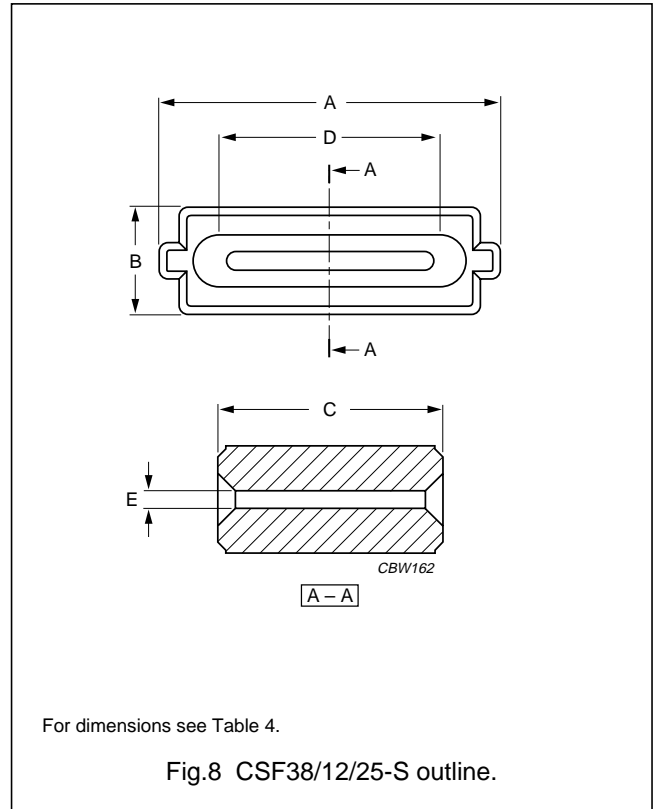
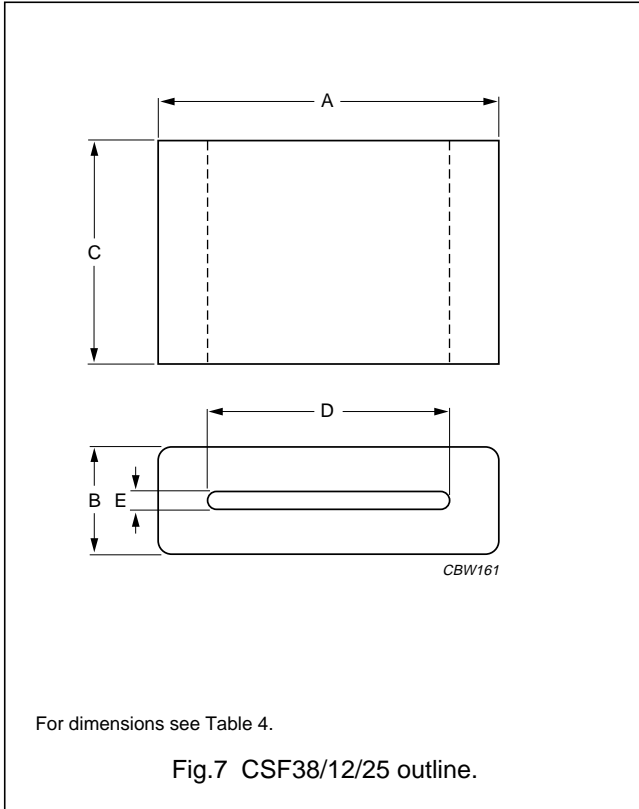


Table 4 Type numbers, dimensions and parameters; see Figs 7 and 8

TYPE NUMBER	FIG.	DIMENSIONS					$ Z _{typ}^{(1)}$ (Ω) at		
		A	B	C	D	E	25 MHz	100 MHz	
Flat cable shields									
CSF38/12/25-3S4	7	38.1 ±1.0	12.1 ±0.35	25.4 ±0.75	26.7 ±0.75	1.9 ±0.35	110	215	
CSF38/12/25-3S4-S	8	38.5 ±0.6	12.1 ±0.4	25.4 ±0.8	26.8 ±0.8	1.9 ±0.4	98	196	

Note

1. Minimum guaranteed impedance is $|Z|_{typ} - 20\%$.

Soft Ferrites

Cable shields




DATA SHEET STATUS DEFINITIONS

DATA SHEET STATUS	PRODUCT STATUS	DEFINITIONS
Preliminary specification	Development	This data sheet contains preliminary data. Philips Components reserves the right to make changes at any time without notice in order to improve design and supply the best possible product.
Product specification	Production	This data sheet contains final specifications. Philips Components reserves the right to make changes at any time without notice in order to improve design and supply the best possible product.

DISCLAIMER

Life support applications — These products are not designed for use in life support appliances, devices, or systems where malfunction of these products can reasonably be expected to result in personal injury. Philips Components customers using or selling these products for use in such applications do so at their own risk and agree to fully indemnify Philips Components for any damages resulting from such application.

PRODUCT STATUS DEFINITIONS

STATUS	INDICATION	DEFINITION
Prototype		These are products that have been made as development samples for the purposes of technical evaluation only. The data for these types is provisional and is subject to change.
Design-in		These products are recommended for new designs.
Preferred		These products are recommended for use in current designs and are available via our sales channels.
Support		These products are not recommended for new designs and may not be available through all of our sales channels. Customers are advised to check for availability.